



TOPSTAR TECHNOLOGY INDUSTRIAL CO., LIMITED

产品规格书

Product Specification Sheet

TOP-SFP-622M-40D

RoHS Compliant 622Mbps 1310nm 40KM Reach Optical Transceiver



E-MAIL: lisa@topsfp.com





Product Features

- Up to 622Mbps data rate operation
- 1310nm FP laser and PIN photo detector for 40km transmission
- Compliant with SFP MSA and SFF-8472 with duplex LC receptacle
- Digital Diagnostic Monitor Interface
- Very low EMI and excellent ESD protection
- +3.3V single power supply
- Compatible with RoHS
- Case operating temperature Commercial: 0°C to +70°C Extended: -10°C to +80°C Industrial: -40°C to +85°C

Applications

- SDH STM-4, S-1.1,L-1.1, L-1.2
- SONET OC-12 IR1,LR1,LR2
- Other optical transmission systems

Description

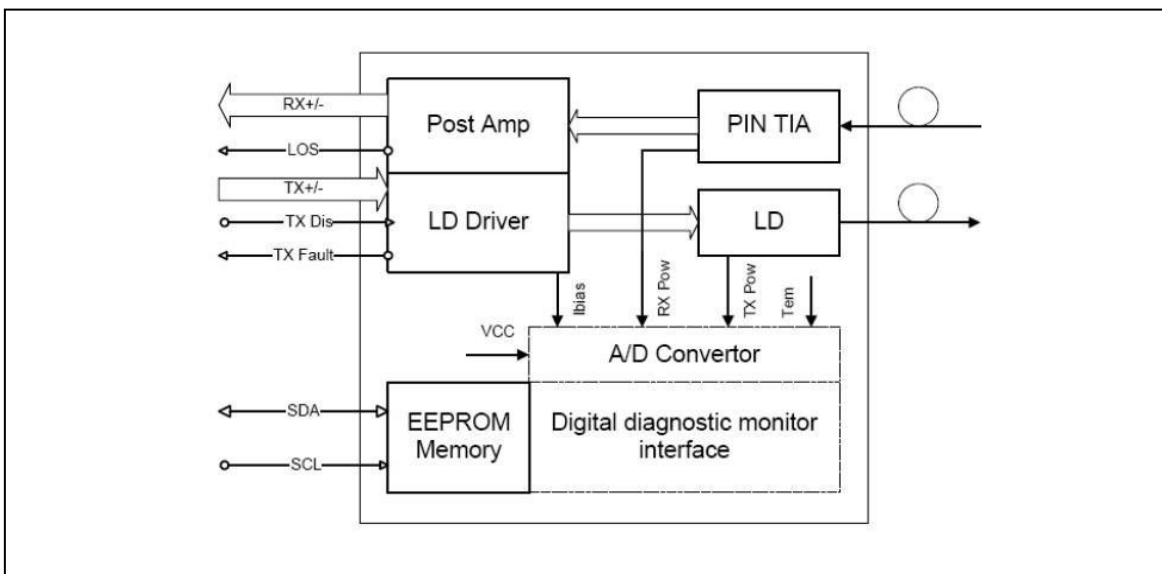
The SFP transceivers are high performance, cost effective modules supporting 622Mbps data-rate and 40km transmission distance with SMF.

The transceiver consists of three sections: a FP laser transmitter, a PIN photodiode integrated with a trans-impedance preamplifier (TIA) and MCU control unit. All modules satisfy class I laser safety requirements.

The transceivers are compatible with SFP Multi-Source Agreement (MSA) and SFF-8472. For further information, please refer to SFP MSA.



Functional Diagram



Ordering information

Product part Number	DataRate (Mbps)	Media	Wavelength (nm)	Transmission	Temperature Range (Tcase) (°C)	
TOP-SFP-622M-40D-C	622	Single mode fiber	1310	40	0~70	commercial
TOP-SFP-622M-40D-E	622	Single mode fiber	1310	40	-10~80	extended
TOP-SFP-622M-40D-I	622	Single mode fiber	1310	40	-45~85	industrial

Absolute Maximum Ratings

Parameter	Symbol	Min.	Max	Unit	Notes
Supply Voltage	Vcc	-0.5	3.60	V	
Storage Temperature		-40	85	°C	
Relative Humidity		5	85	%	

Note: Stress in excess of the maximum absolute ratings can cause permanent damage to the module.

**General Operating Characteristics**

Parameter	Symbol	Min.	Typ.	Max.	Unit	Notes
Data Rate			622		Mb/s	
Supply Voltage	V _{cc}	3.1	3.3	3.5	V	
Supply Current	I _{cc}			220	mA	
Operating Case Temperature	T _c	0		70	°C	
		-10		80		
		-40		85		

Electrical Input/Output Characteristics**• Transmitter**

Parameter	Symbol	Min.	Typ.	Max.	Unit	Notes
Diff. Input Voltage Swing		300		1860	mV _{pp}	1
Tx Disable Input	H	V _{IH}	2.0	V _{cc} +0.3	V	
	L	V _{IL}	0	0.8		
Tx Fault Output	H	V _{OH}	2.0	V _{cc} +0.3	V	2
	L	V _{OL}	0	0.8		
Input Diff. Impedance	Z _{in}		100		Ω	

• Receiver

Parameter	Symbol	Min.	Typ.	Max.	Unit	Notes
Diff. Output Voltage Swing		370		1800	mV _{pp}	3
Rx LOS Output	H	V _{OH}	2.0	V _{cc} +0.3	V	2
	L	V _{OL}	0	0.8		

Note 1) TD+/- are internally AC coupled with 100Ω differential termination inside the module.

Note 2) Tx Fault and Rx LOS are open collector outputs, which should be pulled up with 4.7k to 10kΩ resistors on the host board. Pull up voltage between 2.0V and V_{cc}+0.3V.

Note 3) RD+/- outputs are internally AC coupled, and should be terminated with 100Ω (differential) at the user SERDES.

Optical Characteristics

威星科技實業有限公司

<http://www.opticalmodulemanufacturers.com>



● **Transmitter**

Parameter	Symbol	Min.	Type	Max.	Unit	Notes
Ave. Output Power (Enable)	Po	-9		-3	dBm	1
Extinction Ratio	ER	10			dB	2
Rise/Fall Time (20%-80%)	Tr-Tf			0.26	ns	
Wavelength Range		1270	1310	1360	nm	
Spectral Width (RMS)				4	nm	
Output Optical Eye	ITU G.957 Compliant					

● **Receiver**

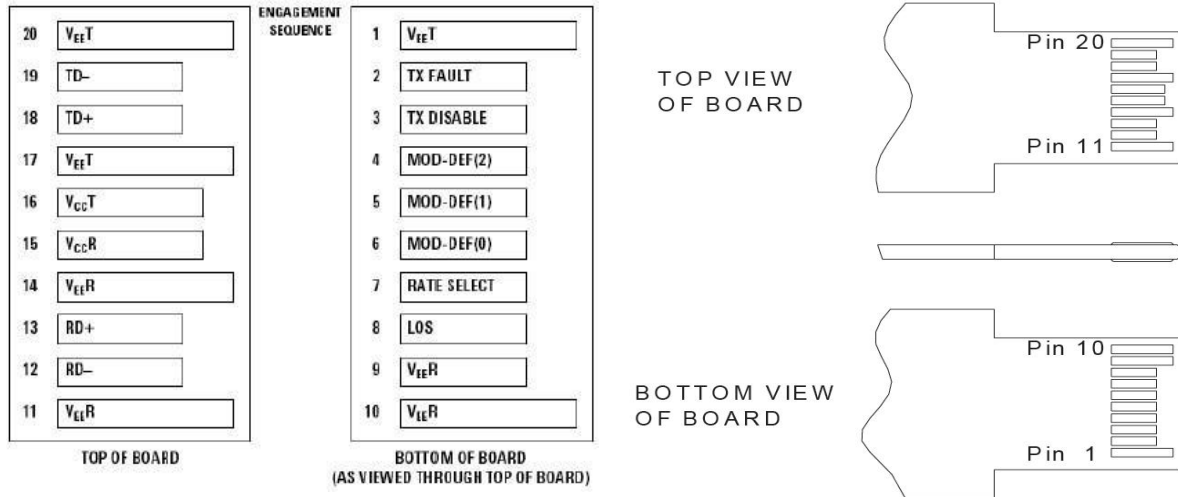
Parameter	Symbol	Min.	Type	Max.	Unit	Notes
Operating Wavelength		1270		1610	nm	
Sensitivity	Pimin			-20	dBm	3
Min. Overload	Pimax	-3			dBm	3
Optical Path Penalty				1	dB	
LOS Assert	Pa	-45			dBm	
LOS De-assert	Pd			-23	dBm	
LOS Hysteresis	Pd-Pa	0.5		6	dB	

Note 1) Measured at 622 Mb/s with PRBS 2^{23} – 1 NRZ test pattern. Note 2) Unfiltered, measured with a PRBS 2^{23} -1 test pattern @622Mbps

Note 3) Measured at 622 Mb/s with PRBS 2^{23} – 1 NRZ test pattern for BER < 1×10^{-10}



Pin Definitions and Functions



PIN #	Name	Function	Notes
1	VeeT	Tx ground	
2	Tx Fault	Tx fault indication, Open Collector Output, active “H”	Note 1
3	Tx	LVTTL Input, internal pull-up, Tx disabled on “H”	Note 2
4	MOD-	2 wire serial interface data input/output (SDA)	Note 3
5	MOD-	2 wire serial interface clock input (SCL)	Note 3
6	MOD-	Model present indication	Note 3
7	Rate	No connection	
8	LOS	Rx loss of signal, Open Collector Output, active “H”	Note 4
9	VeeR	Rx ground	
10	VeeR	Rx ground	
11	VeeR	Rx ground	
12	RD-	Inverse received data out	Note 5
13	RD+	Received data out	Note 5
14	VeeR	Rx ground	
15	VccR	Rx power supply	
16	VccT	Tx power supply	
17	VeeT	Tx ground	
18	TD+	Transmit data in	Note 6
19	TD-	Inverse transmit data in	Note 6
20	VeeT	Tx ground	



Note 1) When high, this output indicates a laser fault of some kind. Low indicates normal operation. And should be pulled up with a 4.7 – 10KΩ resistor on the host board.

Note 2) TX disable is an input that is used to shut down the transmitter optical output. It is pulled up within the module with a 4.7 – 10KΩ resistor. Its states are:

- Low (0 – 0.8V): Transmitter on
- 8, < 2.0V): Undefined High (2.0V~Vcc+0.3V): Transmitter Disabled
- Op

Note 3) Mod-Def 0,1,2. These are the module definition pins. They should be pulled up with a 4.7K – 10KΩ resistor on the host board. The pull-up voltage shall be between 2.0V~Vcc+0.3V. Mod-Def 0 has been grounded by the module to indicate that the module is present Mod-Def 1 is the clock line of two wire serial interface for serial ID Mod-Def 2 is the data line of two wire serial interface for serial ID

Note 4) When high, this output indicates loss of signal (LOS). Low indicates normal operation.

Note 5) RD+/-: These are the differential receiver outputs. They are AC coupled 100Ω differential lines which should be terminated with 100Ω (differential) at the user SERDES. The AC coupling is done inside the module and is thus not required on the host board.

Note 6) TD+/-: These are the differential transmitter inputs. They are AC-coupled, differential lines with 100Ω differential termination inside the module. The AC coupling is done inside the module and is thus not required on the host board.

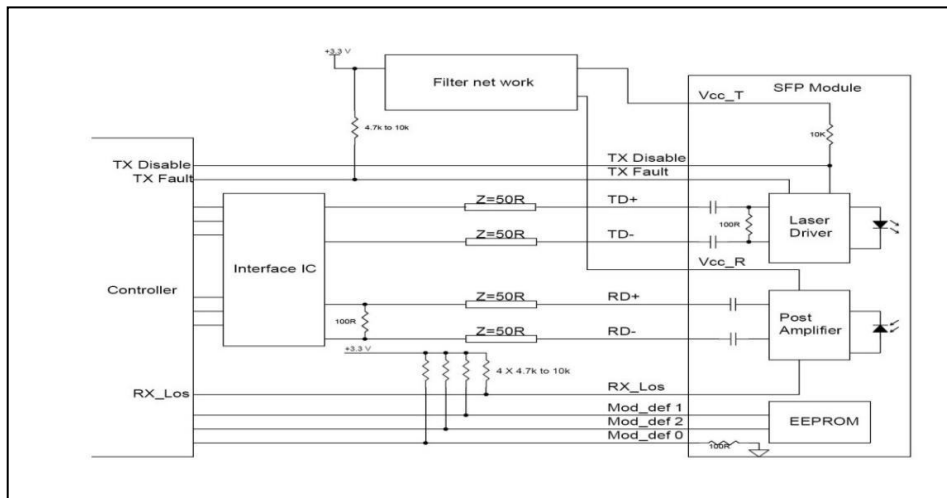
Diagnostics

Diagnostics Specification

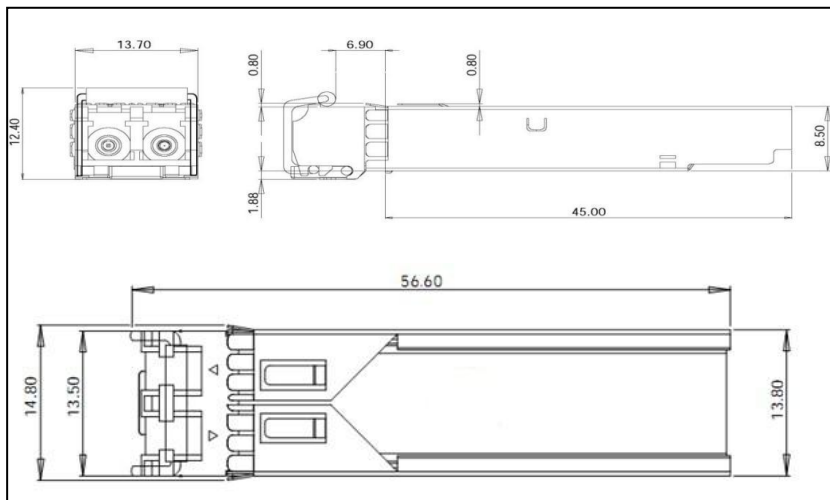
Parameter	Range	Unit	Accuracy	Calibration
Temperature	0 to +70 -40 to +85	°C	±3°C	Internal/ External
Voltage	3.0 to 3.6	V	±3%	Internal/ External
Bias Current	2 to 80	mA	±10%	Internal/ External
TX Power	-9 to -3	dBm	±3dB	Internal/ External
RX Power	-25 to 0	dBm	±3dB	Internal/ External



Typical Interface Circuit



Package Dimensions



Ordering Information & Related Products

TOP-SFP-622M-40	Dual Fiber SFP, 622Mbps, 1310nm, 40KM, without DDM
TOP-SFP-622M-40D	Dual Fiber SFP, 622Mbps, 1310nm, 40KM, with DDM



TOPSTAR TECHNOLOGY INDUSTRIAL CO., LIMITED

Topstar Technology Industrial Co., Ltd

**Add: F5, Rongcheng Building, 28 Yayuan Road Wuhe Community,
BanTian Street, Shenzhen, China**

Tel: +86 755 8255 2969 Email: lisa@topsfp.com

Skype: [lisalin6565](https://www.skype.com/user/lisalin6565) Whatsapp: +86 13798265065

Wechat: 251081707

Facebook and Linked in: Topstar Technology Industrial Co., Ltd

